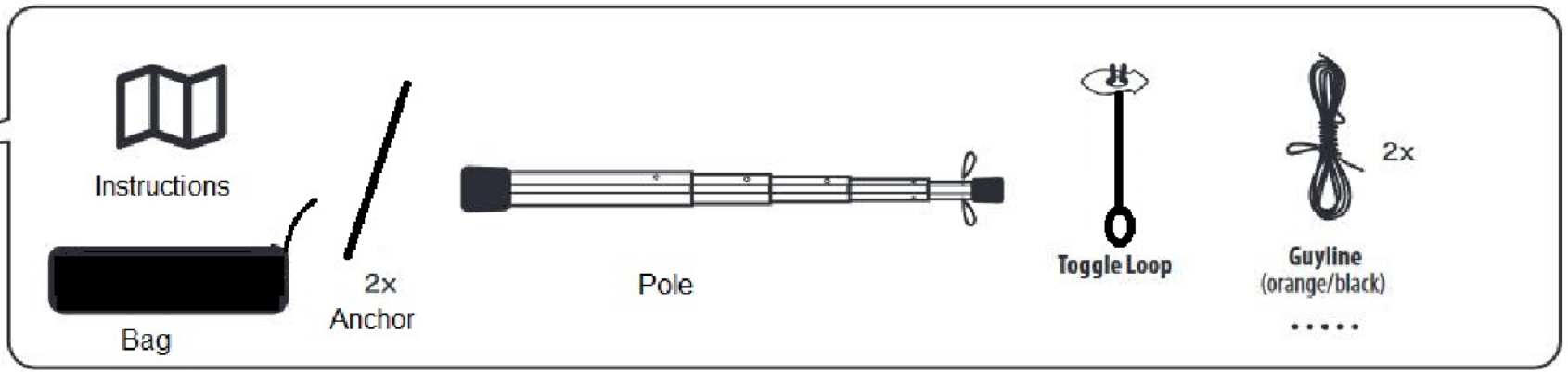


TENSA SOLO

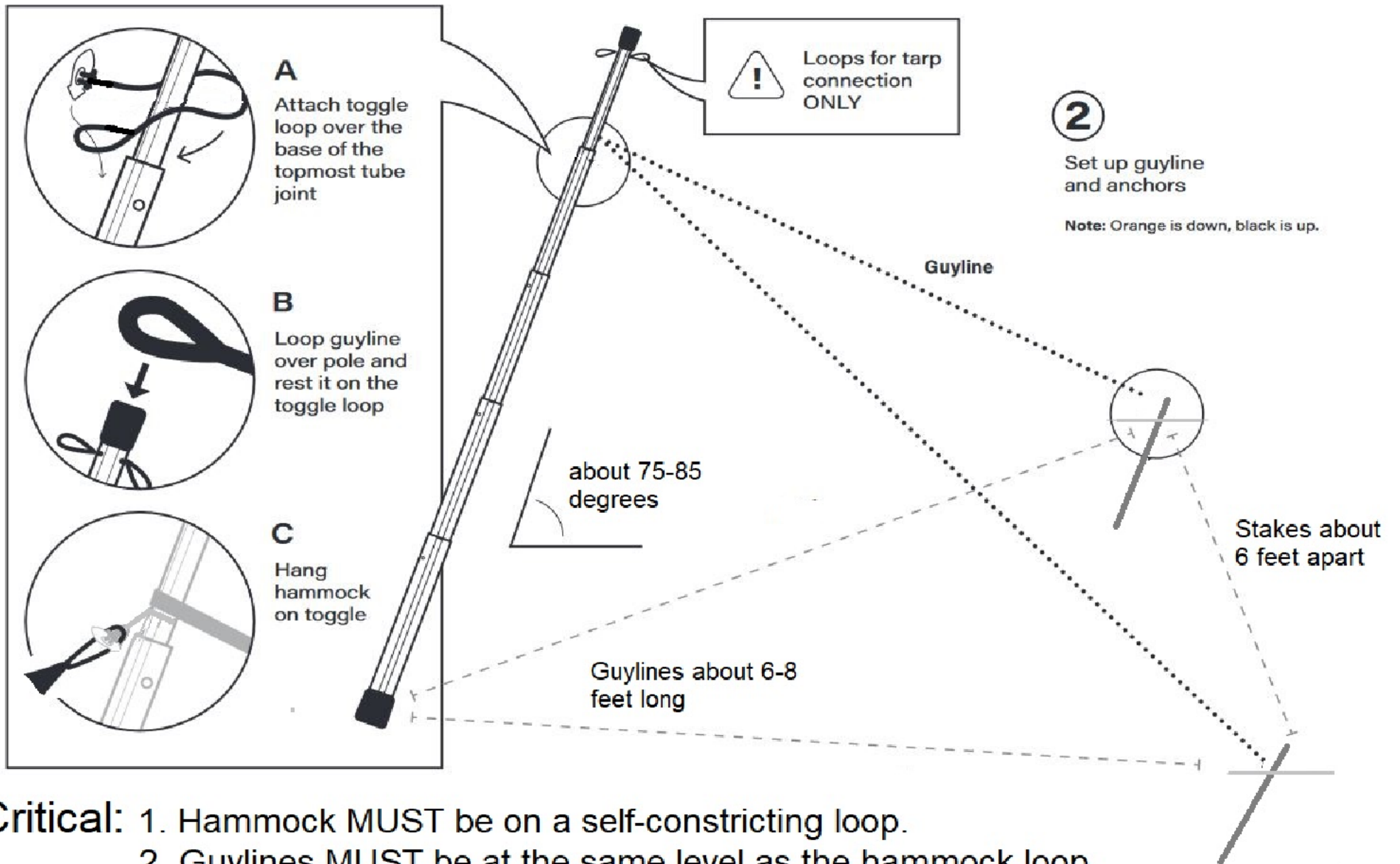
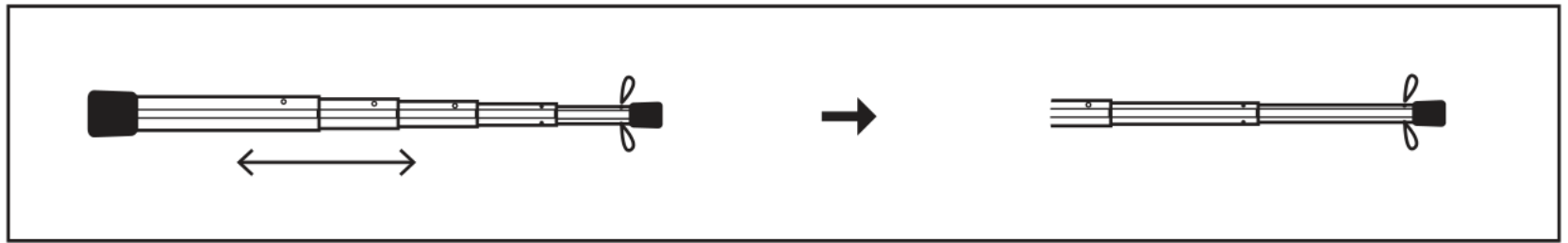
Portable Hammock Stand

Setup Instructions



1

Assemble pole

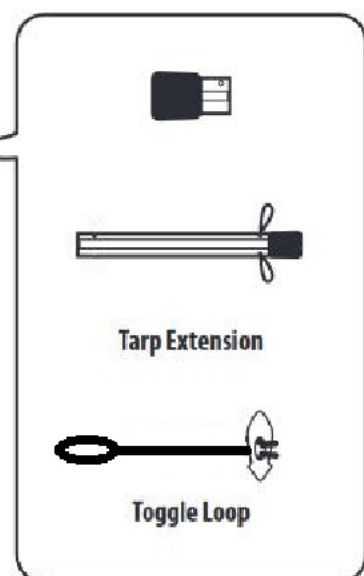


- Critical:**
1. Hammock **MUST** be on a self-constricting loop.
 2. Guylines **MUST** be at the same level as the hammock loop.
 3. Guylines **MUST** be **ABOVE** the hammock loop.

TENSA SOLO Conversion Kit

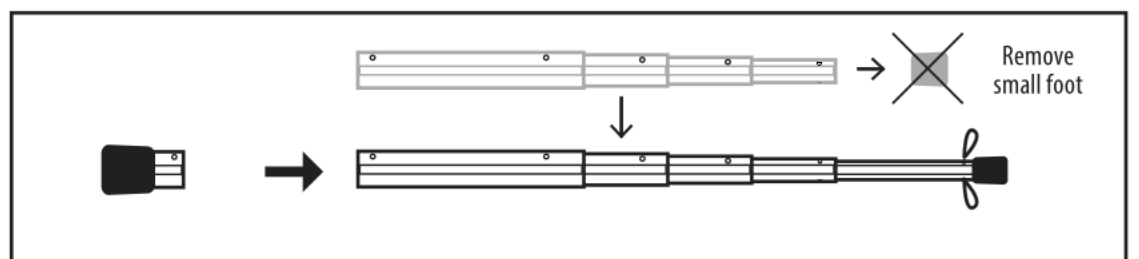
Portable Hammock Stand

Setup Instructions



1

Prepare pole



2

Go to **STEP 1** on the TENSA SOLO setup instructions



Snap this QR code for setup videos and tips

