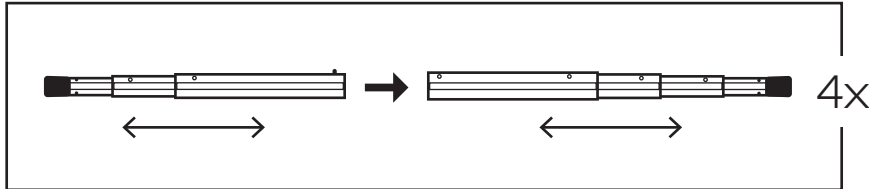
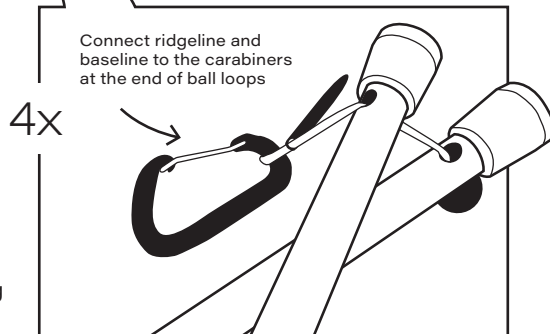
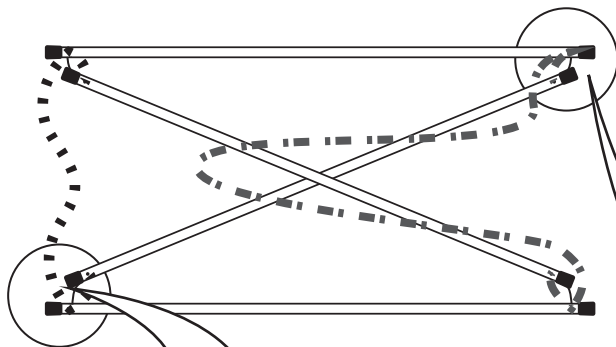


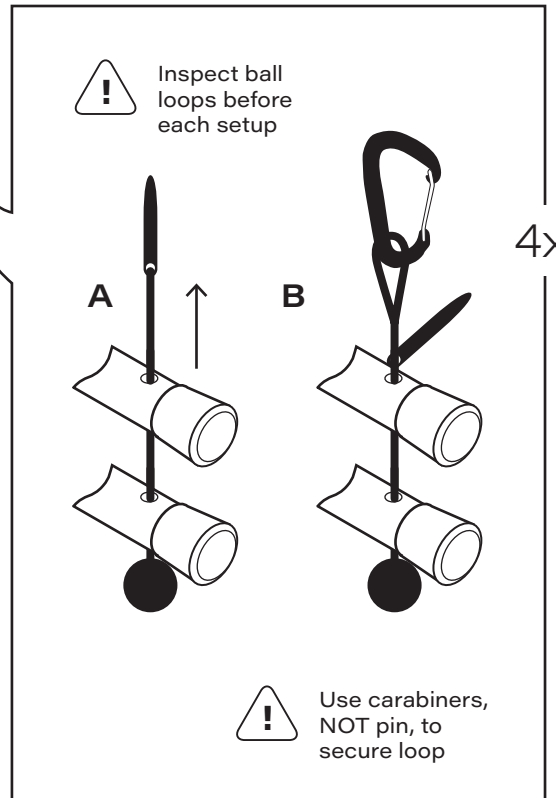
**1**  
Assemble  
poles



**2**  
Connect pole ends  
with ball loops  
and carabiners  
  
Connect baseline  
and ridgeline



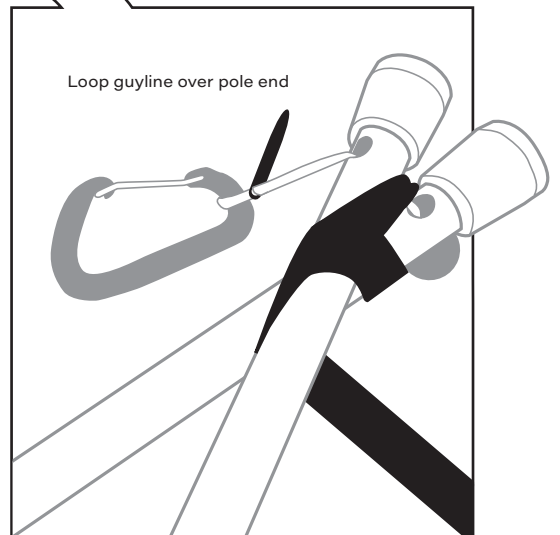
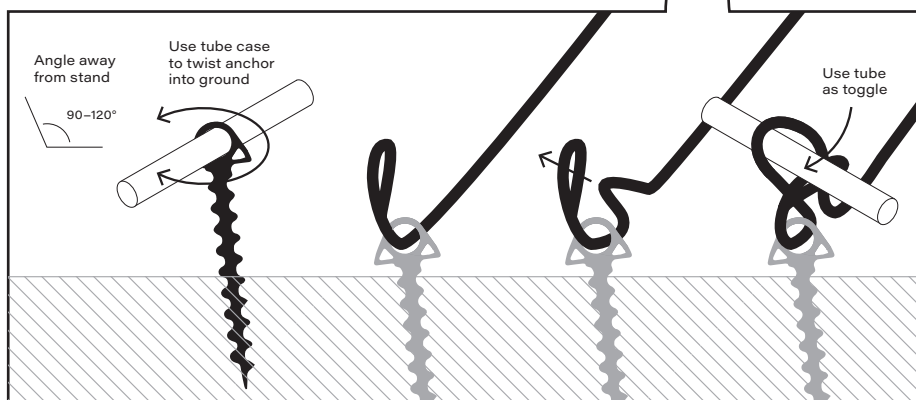
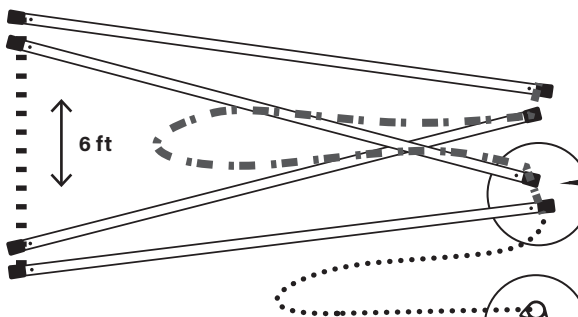
**!** Thread connection  
so ball is outside  
and carabiner is  
inside pole crossing



**!** Inspect ball  
loops before  
each setup

**!** Use carabiners,  
NOT pin, to  
secure loop

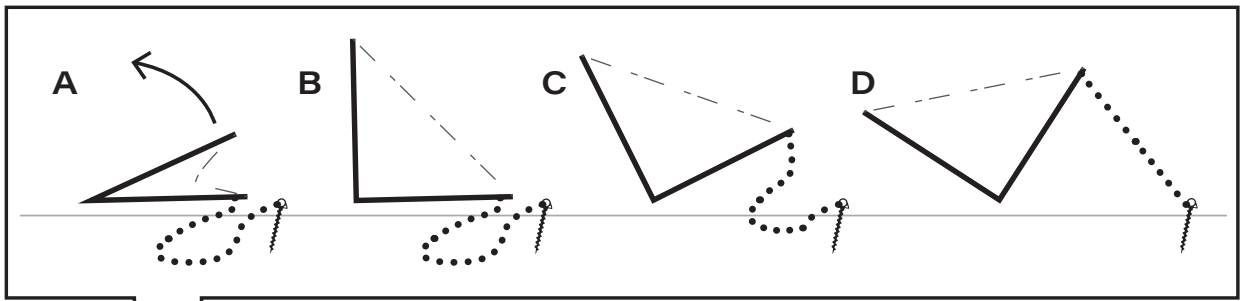
**3**  
Spread baseline  
and add  
foot anchor



Loop guyline over pole end

4

Erect stand



! Head end MUST be lower than foot end

Head end

Foot end

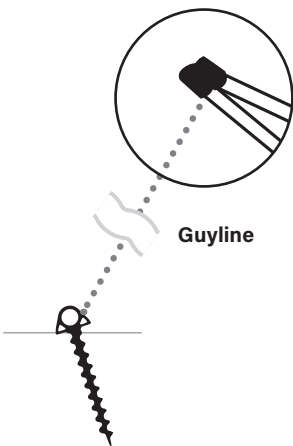
Ridgeline

Guyline

5

Add head  
guyline

(leave slack)

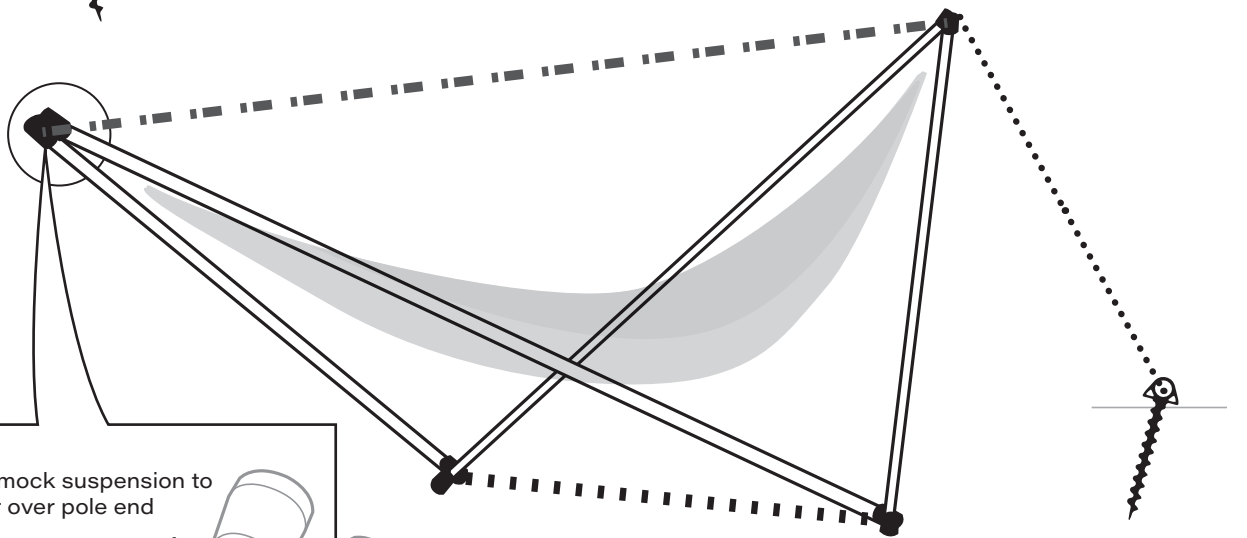


Guyline

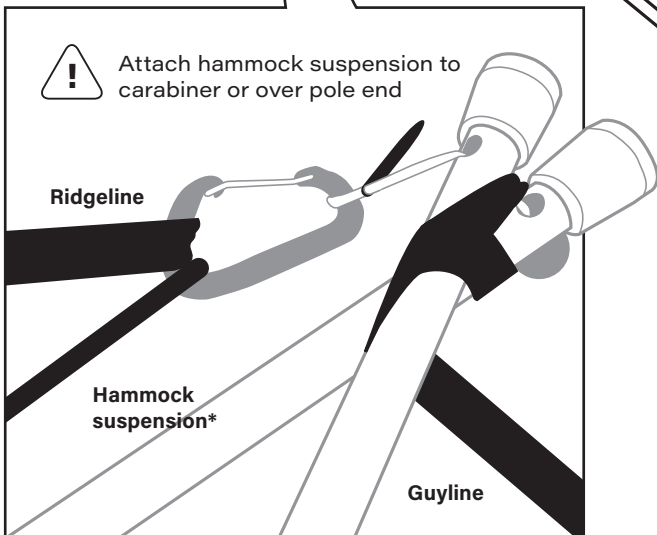
Baseline

6

Attach  
hammock



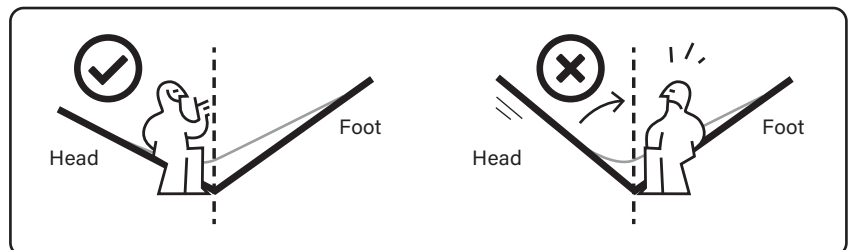
! Attach hammock suspension to carabiner or over pole end



Ridgeline

Hammock suspension\*

Guyline



\*Hammock and hammock suspension not included

Snap this QR code for setup videos and tips

